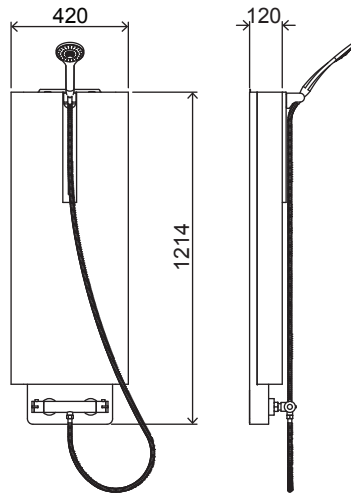


# TECHNICAL DATA SHEET

## hoterway®



### General description

Hoterway is shower column that can incorporate any bathroom. This entirely passive device store heat during a bath, without affecting the ideal temperature of the water, to instantly provide hot water in the beginning of the next shower.

Energy storage is based on the phase changing of a specific material which allows an high heat transfer rate during the whole process of charging and discharging.

The thermal isolation, consisting in vacuum isolated panels, ensures that the thermal losses during showers is minimum.

### Technical details

Model:

**Hoterway Standard** ref. 11.01.001

Casing materials: Stainless steel, fiberglass

Outside dimensions (excluding accessories): 1214 x 420 x 120 (mm)

Inlet connections: ½" BSP male threads

Working pressures: 0.7 – 10 bar

Shower maximum flow rate: 9 liters/min

Inlet hot water temperature: 50 – 70°C

# TECHNICAL DATA SHEET

## Product specifications

- Capacity to warm up 15 litres of water from 20°C to 37°C immediately after a shower (if fully charged);
- Capacity to warm up 10 litres of water from 20°C to 37°C after 24 hours since the last bath (if fully charged);
- Time until full charged: 6 minutes (inlet temperature 55°C and hot water inlet flow rate 7 liters/min);
- Easy installation, suitable with previous bathroom installations;
- Package dimensions: 1540 x 550 x 180 (mm);
- Package weight: approx. 40kg.

## Compliance / Approvals



Warranty: 10 years (exception: thermostatic mixer, shower head and shower hose - 2 years).